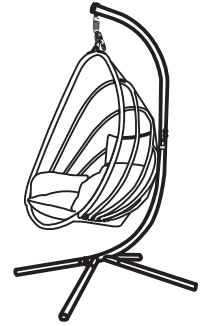


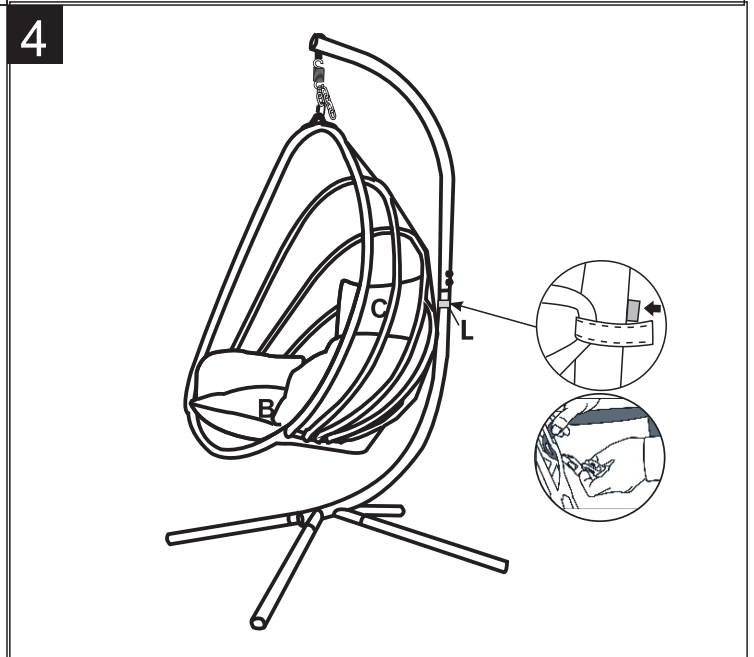
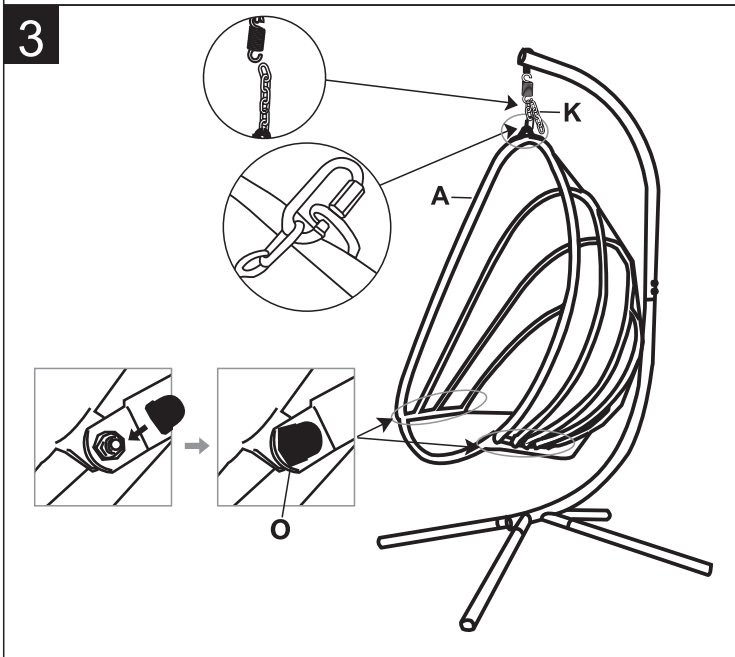
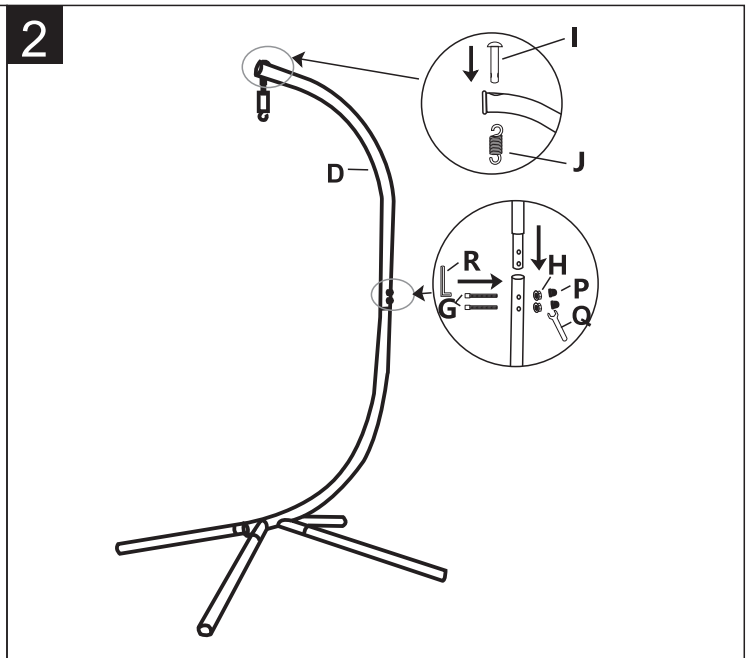
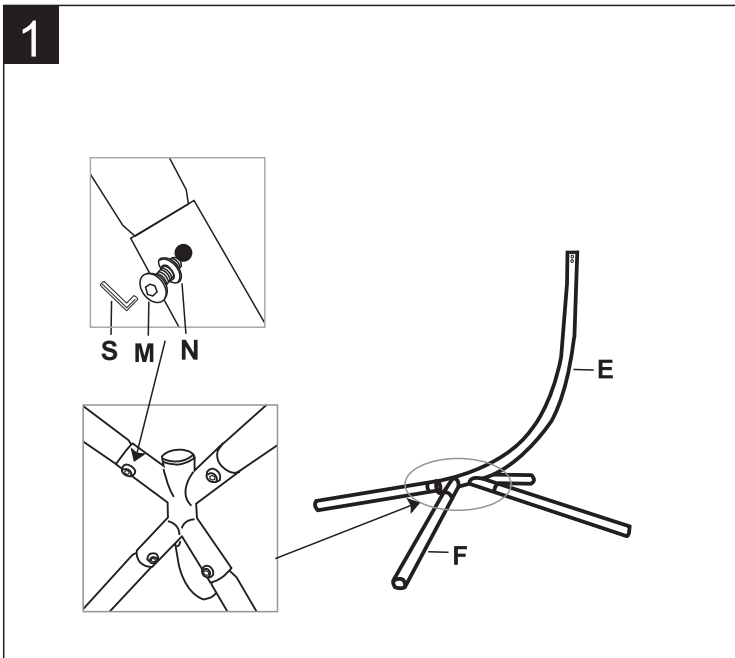
KINGMAN



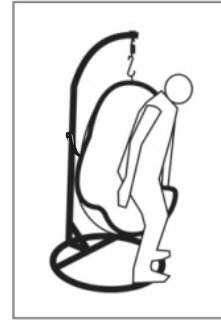
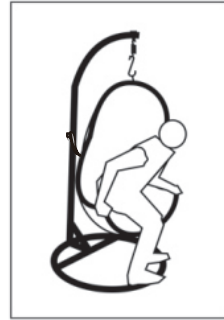
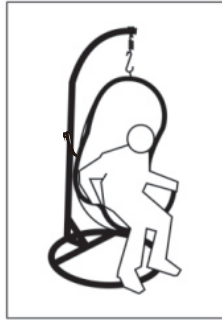
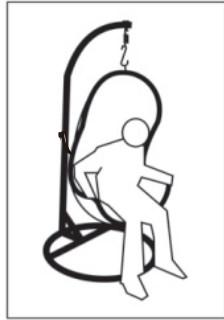
Assembly Instructions



A.x1	B.x1	C.x1	D.x1	E.x1	F.x4	G.x2	H.x2	I.x1	J.x1
K.x1	L.x1	M.x4	N.x4	O.x12	P.x2	Q.x1	R.x1	S.x1	



OK



NO

