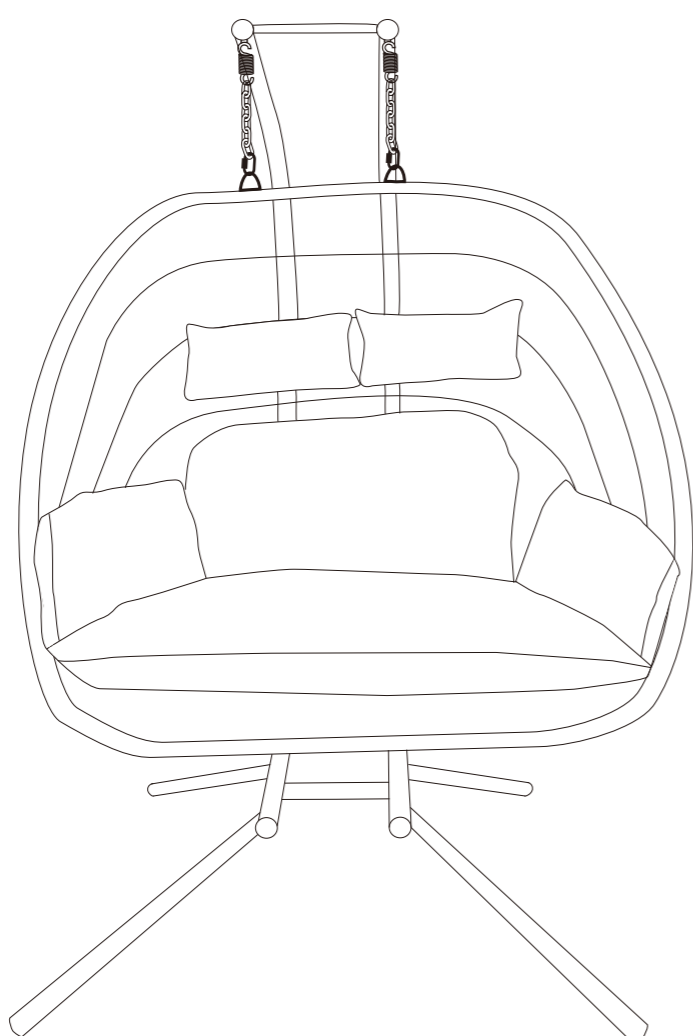


KINGMAN



Assembly Instructions

Assembly Instructions



Care Instructions

- To clean the cushion, vacuum over the surface to remove loose dirt, dust, and debris.
- Mix 1 tablespoon dish detergent in a bucket of water. Use a brush dipping in the cleaning solution to scrub the surface, going back over stained areas as needed. Wait at least 5 minutes to allow the solution to soak.
- Be sure to thoroughly rinse away all the cleaning solution. Don't use a pressure washer or abrasive/chemical cleaners as this might damage the fabric.
- Squeeze out any excess water with your hands. Prop the cushions up vertically and allow them to air-dry completely. Set them in a sunny spot to speed up the drying time.
- Store the product in a cool dry environment. Make sure the product is clean and dry before you store it.
- Furniture cover is recommended for the protection of the product.
- Please store the product indoor during the harsh weather and wintertime.
- To clean the metal frame, mix 1 tablespoon dish detergent in a bucket of water. Use a soft cloth dipping in the cleaning solution to wipe the entire metal surface. Then wipe with a dry clean cloth.
- The frame is made of steel pipe and coated with powder, which is applied for corrosion protection and appearance. When the steel is exposed to moist environment, it might cause the steel rusted. Any scratches on the frame should be touched up with metal paint. Otherwise, corrosion may occur.

A x1	B x1	C x4	D x2		
E x2	F x1	G x1	H x2		
I M8 x8	J M8 x8	M x2	N x2		
O x2	P x2	Q x4	R M8 x1	S M4 x1	T M6 x1
U M6 x1	V x1	X x4			

